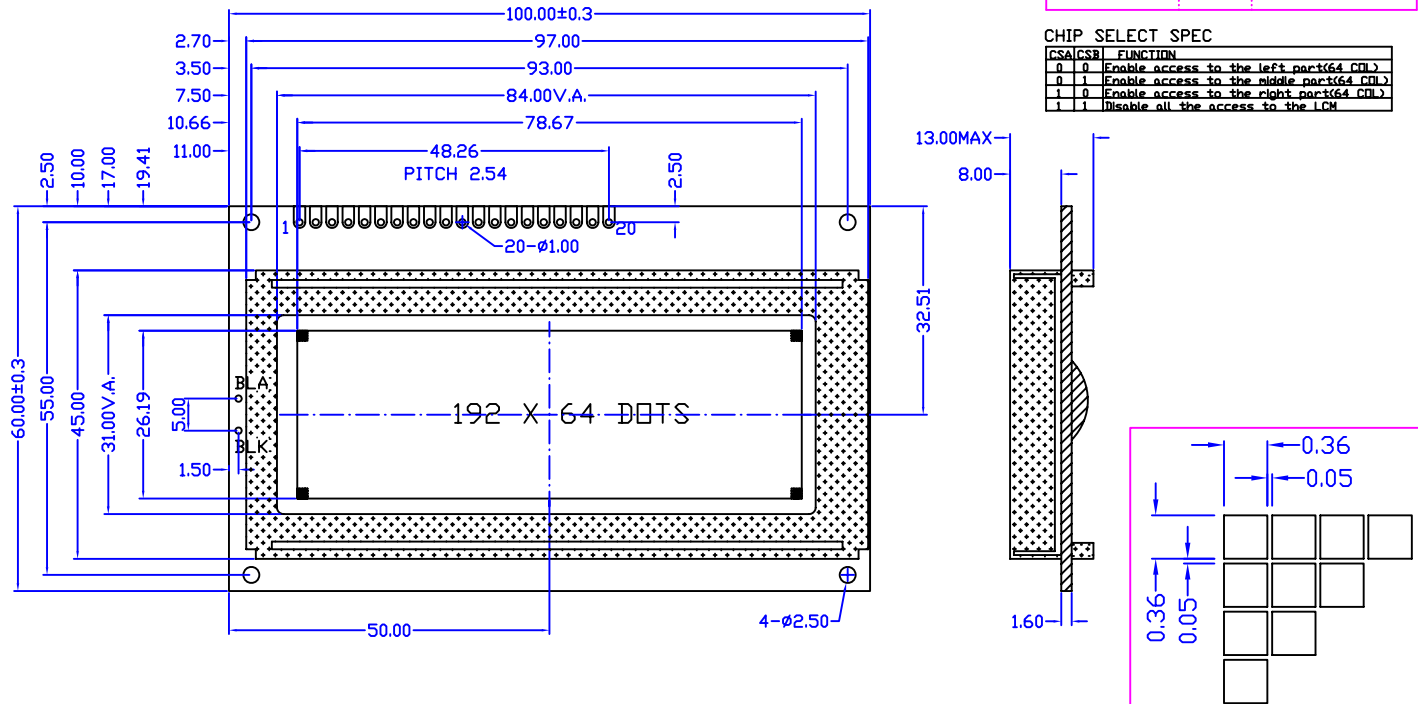


# Outline Dimension

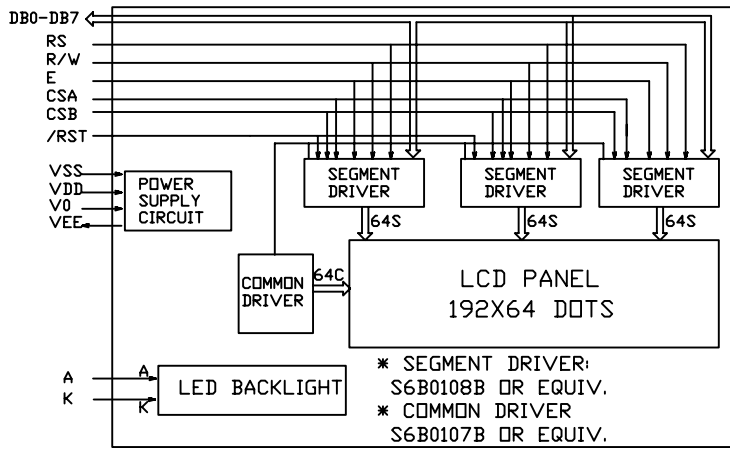
REVISIONS			
NO.	DATE	BY	DESCRIPTION
1	08/06/12	ZOLEN	NEW RELEASE

### CHIP SELECT SPEC

CSA[CSB]	FUNCTION
0 0	Enable access to the left part(64 COL)
0 1	Enable access to the middle part(64 COL)
1 0	Enable access to the right part(64 COL)
1 1	Disable all the access to the LCM



## Block Diagram



## Feature

1. BUILT IN CONTROLLER: KS0107B OR EQUIVALENT
2. POWER SUPPLY: 5.0V AND 3.0V AVAILABLE
3. LCD TYPE: Y/G STN
4. BACKLIGHT: BOTTOM LED BACKLIGHT
5. COLOUR OF BACKLIGHT: Y/G
6. 1/64 DUTY CYCLE, 1/9 BIAS
7. VIEWING ANGLE: 6 O'CLOCK
8. TEMPERATURE RANGE: NORMAL(0--50)EXTENDED
9. LOW CONSUMPTION, LOW VOLTAGE, HIGH CONTRAST

## Mechanical Data

ITEM	SPECIFICATION	UNIT
OVERALL SIZE	100.0W x 60.0H x 13.0T	MM
VIEWING AREA	84.0W x 31.0H	MM
DOT NUMBER	192 x 64	DOTS
DOT SIZE	0.36W x 0.36H	MM
DOT PITCH	0.41W x 0.41H	MM

## Pin Assignment

NO.	SYSBOL	DESCRIPTION
1--8	DB0--DB7	DATA BUS
9	E	ENABLE SELECT
10	R/W	READ/WRITE SELECT
11	D/I	DATA/INSTRUCTION SELECT
12	V0	OPERATING VOLTAGE FOR LCD
13	VDD	POWER SUPPLY FOR LOGIC AND LCD
14	VSS	GROUND
15	CSB	CHIP SELECT SIGNAL B
16	CSA	CHIP SELECT SIGNAL A
17	VEE	NEGATIVE VOLTAGE INPUT/OUTPUT
18	/RST	RESET SIGNAL(LOW EFFECTIVE)
19	A	LED BACKLIGHT POWER SUPPLY(+5.0V)
20	K	LED BACKLIGHT POWER SUPPLY(0V)

## Absolute Maximum Rating

ITEM	SYMBOL	MIN	MAX	UNIT
POWER SUPPLY(LOGIC)	VDD-VSS	0	6.5	V
POWER SUPPLY(LCD DRV.)	VDD-V0	0	18.0	V
INPUT VOLTAGE	VI	VI	VDD	V

## Electrical Characteristics

ITEM	SYMBOL	MIN	TYP	MAX	UNIT
VOLTAGE FOR LOGIC	VDD-VSS	4.75	5.0	5.25	V
SUPPLY CURRENT	IDD	-	5.1	9.8	mA
LCD OPERATING VOLTAGE	VDD-V0	0C	-	9.2	V
		25C	-	9.0	V
		40C	-	8.8	V
INPUT VOLTAGE	H	0.7VDD	-	VDD	V
	L	VIL	0	0.3VDD	V

ALL DIMENSIONS ARE IN MM. TOLERANCE IS +/-0.2 UNLESS OTHERWISE NOTED.



JXD19264B

192 X 64 DOTS GRAPHIC LCM

EXPERT IN LCD