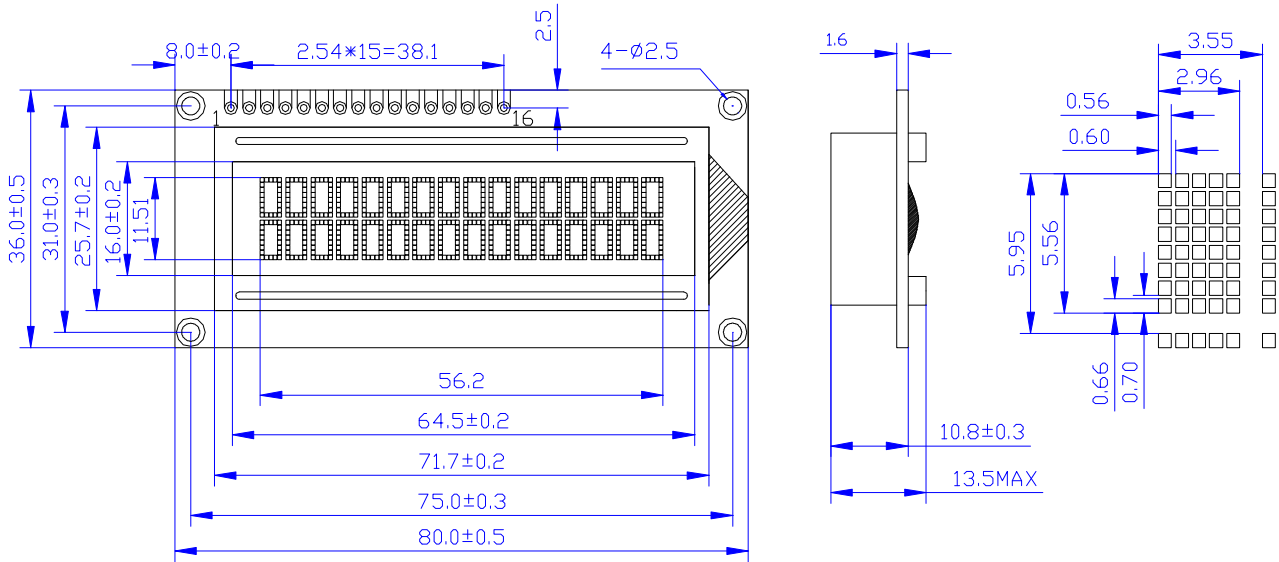


JXD1602A-F

① PHYSICAL DIMENSION



② MECHANICAL SPECIFICATIONS

| Item | Nominal Dimensions(mm) |
|---------------------|------------------------|
| Module Size(W×H×T) | 80.0×36.0×12.0 |
| Viewing Area(W×H) | 64.5×16.0 |
| Character Size(W×H) | 2.96×5.56 |
| Dot Size(W×H) | 0.56×0.66 |

④ FEATURE

| | |
|-----------------------|-----------------------------|
| LCD Type & Colour | STN:Yellow-Green,Blue,FSTN |
| View Angle | 6 O'clock |
| Display Type | Positive Type,Negative Type |
| Control IC & Package | KS0066 or EQV,COB |
| Operating Temperature | -20℃~70℃ |
| Storage Temperature | -30℃~80℃ |

③ PIN CONNECTIONS

| Pin | Symbol | Function |
|------|---------|------------------------------|
| 1 | VSS | Ground for Logic(0V) |
| 2 | VDD | Power supply for Logic(+5V) |
| 3 | V0 | Power supply for LCD Driver |
| 4 | RS | H: Data; L: Instruction Code |
| 5 | R/W | H: Read; L: Write |
| 6 | E | Enable signal |
| 7~14 | DB0~DB7 | Data Bus Line |
| 15 | LED+ | Backlight Power(+5V) |
| 16 | LED- | Backlight Power(0V) |
| | | |
| | | |
| | | |

⑤ ELECTRICAL CHARACTERISTICS (Supply current doesn't contain backlight)

| Item | Symbol | Test Condition | Typ. | Unit |
|-------------------|--------|-------------------|------|------|
| Operating Voltage | Vdd | Ta=25℃ | 5.0 | V |
| Supply Current | Idd | Ta=25℃ , Vdd=5.0V | 1.5 | mA |