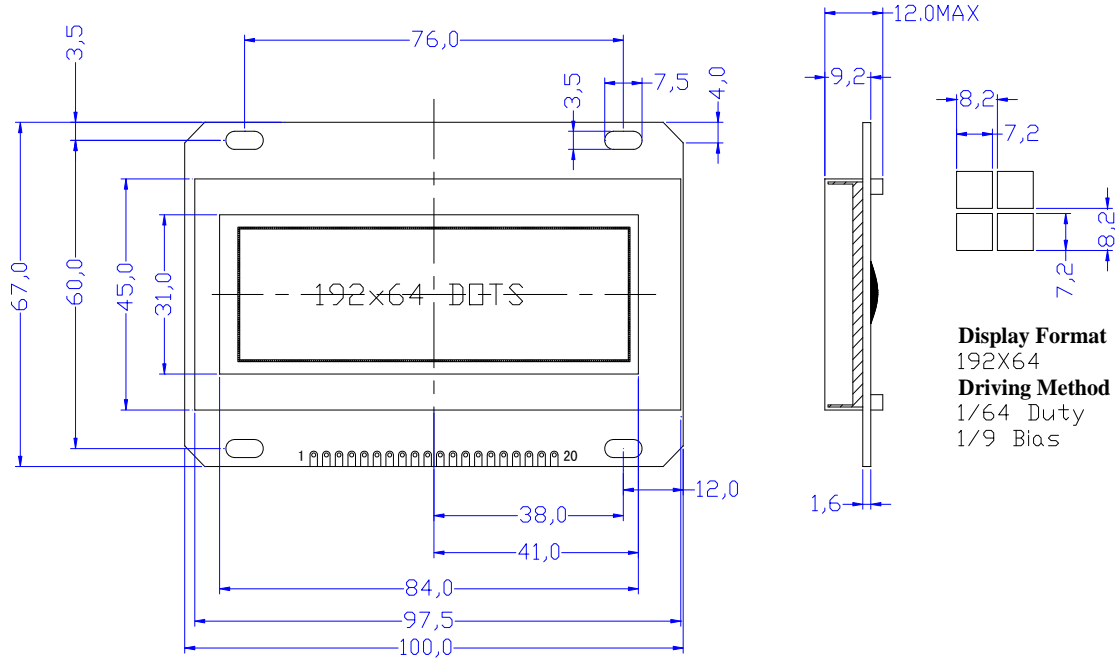


JXD19264B-3

① PHYSICAL DIMENSION



② MECHANICAL SPECIFICATIONS

| Item | Nominal Dimensions(mm) |
|--------------------|------------------------|
| Module Size(W×H×T) | 100.0×67.0×12.0 |
| Viewing Area(W×H) | 84.0×31.0 |
| Dot Pitch(W×H) | 0.41×0.41 |
| Dot Size(W×H) | 0.36×0.36 |

④ FEATURE

| | |
|-----------------------|-----------------------------|
| LCD Type & Colour | STN:Yellow-Green,Blue,FSTN |
| View Angle | 6 O'clock |
| Display Type | Positive Type,Negative Type |
| Control IC & Package | KS0107,COB |
| Operating Temperature | -20℃ ~ 70℃ |
| Storage Temperature | -30℃ ~ 80℃ |

③ PIN CONNECTIONS

| Pin | Symbol | Function |
|-----|---------|------------------------------|
| 1~8 | DB7~DB0 | Data Bus Line |
| 9 | E | Enable signal |
| 10 | R/W | H: Read; L: Write |
| 11 | RS | H: Data; L: Instruction Code |
| 12 | V0 | Power supply for LCD Driver |
| 13 | VDD | Power supply for Logic(+5V) |
| 14 | VSS | Ground for Logic(0V) |
| 15 | CSA | Chip Selection |
| 16 | CSB | Chip Selection |
| 17 | VEE | Negative voltage output |
| 18 | /RST | Reset Signal (Active Low) |
| 19 | LED+ | Backlight Power (+5V) |
| 20 | LED- | Backlight Power (0V) |

⑤ ELECTRICAL CHARACTERISTICS (Supply current doesn't contain backlight)

| Item | Symbol | Test Condition | Typ. | Unit |
|-------------------|--------|-------------------|------|------|
| Operating Voltage | Vdd | Ta=25℃ | 5.0 | V |
| Supply Current | Idd | Ta=25℃ , Vdd=5.0V | 6.0 | mA |