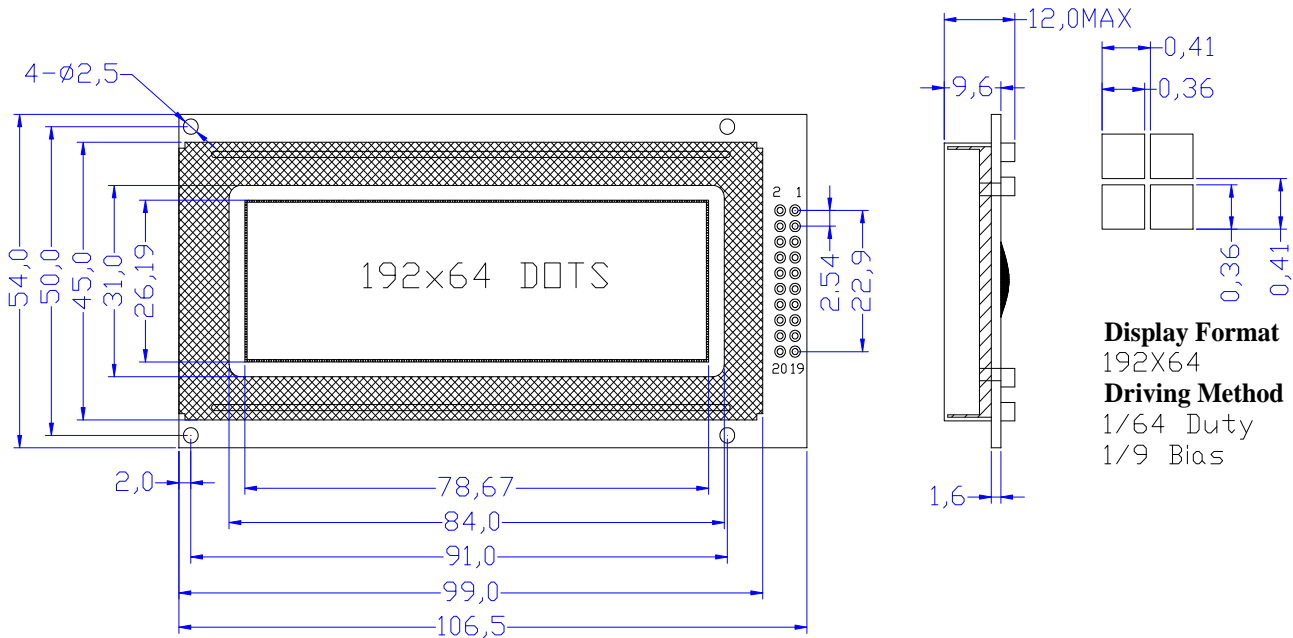


# JXD19264B-1

## ① PHYSICAL DIMENSION



## ② MECHANICAL SPECIFICATIONS

Item	Nominal Dimensions(mm)
Module Size(W×H×T)	106.5×54.0×12.0
Viewing Area(W×H)	84.0×31.0
Dot Pitch(W×H)	0.41×0.41
Dot Size(W×H)	0.36×0.36

## ④ FEATURE

LCD Type & Colour	STN:Yellow-Green,Blue,FSTN
View Angle	6 O'clock
Display Type	Positive Type,Negative Type
Control IC & Package	KS0107,COB
Operating Temperature	-20℃~70℃
Storage Temperature	-30℃~80℃

## ③ PIN CONNECTIONS

Pin	Symbol	Function
1~8	DB7~DB0	Data Bus Line
9	E	Enable signal
10	R/W	H: Read; L: Write
11	RS	H: Data; L: Instruction Code
12	V0	Power supply for LCD Driver
13	VDD	Power supply for Logic(+5V)
14	VSS	Ground for Logic(0V)
15	CSA	Chip Selection
16	CSB	Chip Selection
17	VEE	Negative voltage output
18	/RST	Reset Signal (Active Low)
19	LED+	Backlight Power (+5V)
20	LED-	Backlight Power (0V)

## ⑤ ELECTRICAL CHARACTERISTICS (Supply current doesn't contain backlight)

Item	Symbol	Test Condition	Typ.	Unit
Operating Voltage	Vdd	Ta=25℃	5.0	V
Supply Current	Idd	Ta=25℃, Vdd=5.0V	6.0	mA