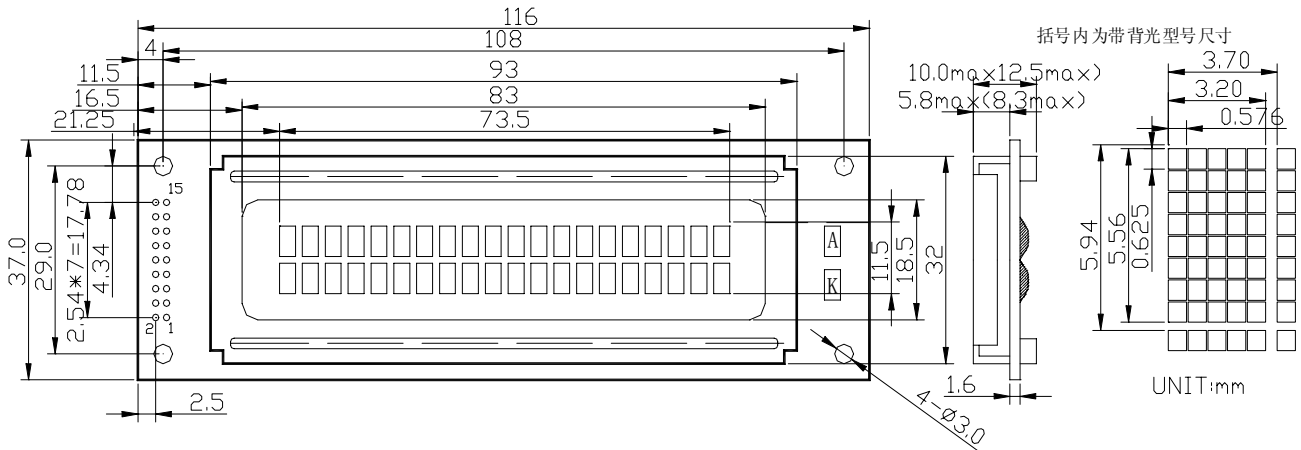


JXD2002A

*20 Characters 2 lines *Controller LSI built-in *+5v single power supply*Backlighting:LED(yellow/green)

EXTERNAL DIMENSIONS AND DISPLAY PATTERN



MECHANICAL DATA (Nominal dimensions)

module size-----116.0Wx37.0Hx12.50D mm
 Effective display area----- 83.0Wx18.5H mm
 Character size(5X8 dots) ----- 3.20Wx5.56H mm
 Character pitch ----- 3.7WX5.94H mm
 Dot size-----0.576Wx0.625H mm
 Weight ----- about 58 g

ABSOLUTE MAXIMUM RATINGS min max

Power supply for logic(Vdd-Vss) ----- 0 7.0V
 power supply for LCD drive(Vdd-V0) ----- 0 4.5V
 Input voltage(Vi) ----- Vss VddV
 Operating temperature(Ta)-----(-0°C- +50°C)
 Storage temperature(Tstg)-----(-10°C- +60°C)

ELECTRICAL CHARACTERISTICS

Ta=25°C, Vdd=5.0V±0.25V
 Input 'high' voltage(ViH) ----- 3.5Vmin.
 Input 'low' voltage(ViL) ----- 0.55Vmax.
 Output 'high' voltage(VoH)(-Ioh+0.1mA) -- 3.75Vmin.
 Output 'low' voltage(VoL)(IoL=0.1mA) ----- 1.0Vmax.
 Power supply current(Idd)(Vdd=5.0V) ---- 3.0mAmax.
 Drive method ----- 1/16Duty , 1/5bias.

PIN CONNECTION

Pin No.	Symbol	Level	Function
1	Vss	—	0V
2	Vdd	—	+5V
3	Vo	—	—
4	RS	H/L	L:Instruction code input H:Data input
5	R/W	H/L	H:Data read L:Data write
6	E	H,H →	Enable signal
7	D0	H/L	Data bus line *
8	D1	H/L	
9	D2	H/L	
10	D3	H/L	
11	D4	H/L	
12	D5	H/L	
13	D6	H/L	
14	D7	H/L	
15	LED+	—	DC5V
16	LED-	—	DC0V

BLOCK DIAGRAM

